

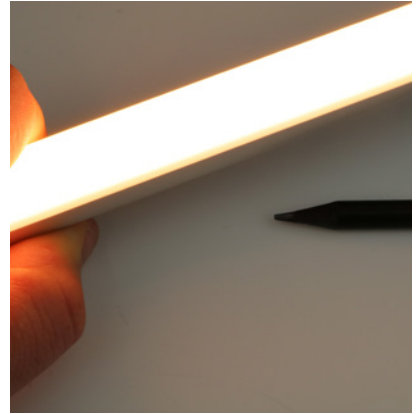
Linear

TIMI-D A030 (30W)

Fixture Guide

KKDC

Indoor | Surface | Output up to 2820lm/m (859lm/ft)

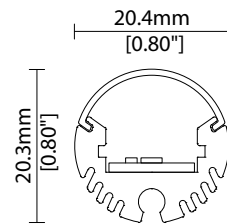


Key applications

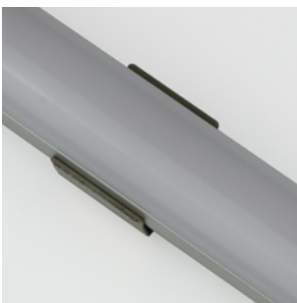
- ✓ Bathrooms
- ✓ Interior
- ✓ Uplighting
- ✓ Public spaces

Key features

- ✓ Custom lengths
- ✓ Diffusion: Homogenous
- ✓ Direct view
- ✓ Form factor: Large
- ✓ High lumen efficacy
- ✓ IP40



MOUNTING METHODS



KKCP-21 Stainless steel clip

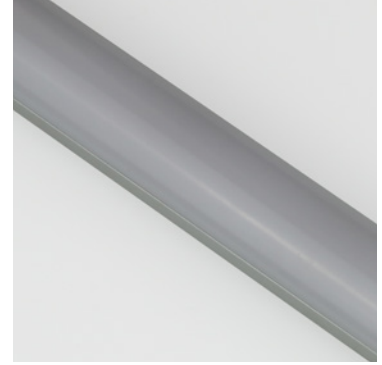
Linear

TIMI-D A030 (30W)

Specification sheet



Dimensions	H20.3/W20.4/L91-2014mm (H0.80/W0.80/L3.58-79.29in)
PCB Cut-point	38.46mm increment/2000mm max (1.51in increment/78.74in max)
LED Pitch	4.8mm - 208LED/m (0.19in - 64LED/ft)
Chip	A-line
Cover/Optics	Diffused (130°)
CCT	A-line: 2700K/3000K/3500K/4000K
LED binning	A-line: 3-step MacAdam ellipse
CRI	94
Lifetime	50,000 hours @ 25°C (50,000 hours @ 77°F)
Operating temp	T _a = -25 to 45°C (T _c max = 80.1°C) T _a = -13 to 113°F (T _c max = 176.2°F)
IP Rating	IP40
Finish	Silver anodised
Mounting	Surface mounting via clips
Power feed	Single no sheath tail
Control	0-10V/1-10V/DMX/DALI



LED Grading Key

Exclusive Grade *KKDC tuned CCT range
A-line* 3-step CCT range
 KKDC highest lumen efficacy LED

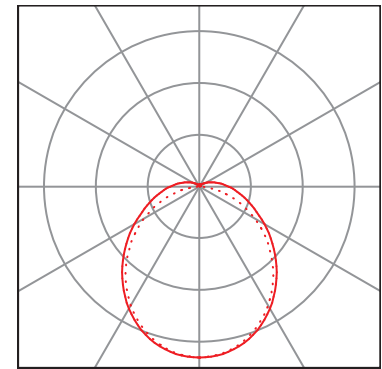
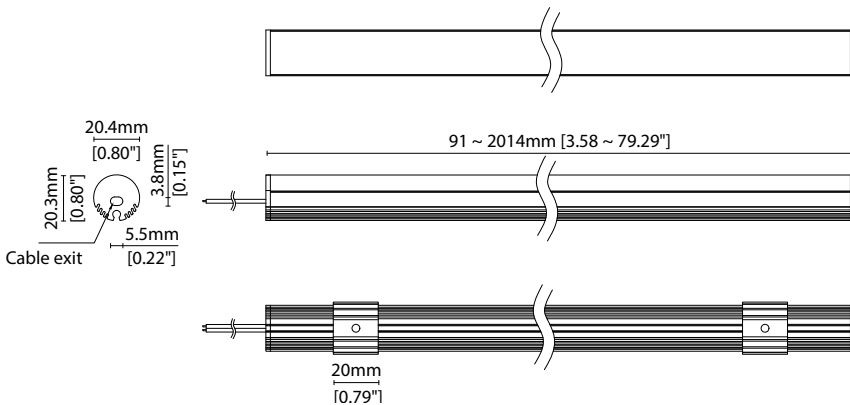
Power consumption	Supply voltage	Supply current
30W/m (9.14W/ft)	24V DC	1.25A/m (0.381A/ft)

Performance Data (3000K)

	R1	R2	R3	R4	R5	R6	R7	R8	R9	R10	R11	R12	R13	R14
A-line	95	96	96	94	94	94	94	88	72	89	94	77	95	97

Diffused

	2820lm/m (859lm/ft)	94lm/W	CRI	R9	Rf	Rg
A-line			94	72	-	-



Diffused Cover
 — C0 / C180 cd / 1000 lm - - - C90 / C270

Data derived from independent UKAS/IESNA LM-79-08 accredited testing of production samples.

See KKDC website for product document updates.

www.kkdc.lighting

TIMIDA03030WS-03.06EN-20241210

Linear

TIMI-D A030 (30W) Code Table



FIXTURE

Model	Finish	Cover/Lens	Grade ¹	LED	Colour (CCT)	Length Availability ²	IP	Cable Length	Power Feed	Input	
TIMI-D	DT	Silver Anodised SA	Diffused C	A- A	A030 030	2700K 27 3000K 30 3500K 35 4000K 40	m 91-2014mm 38.46mm increments i 3.58-79.13in 1.51in increments (Specify length code OR total run length)	IP40 40	300mm (11.81in) 0300	Single no sheath tail S00X	DC 24V g

¹ Refer to **LED Grading Key** on **Specification sheet** page

² Refer to **Length Availability List** or enter total run length instead of length code

Code Example:

DT	-	SA	-	C	-	A	-	030	-	30	-	m	514	-	40	-	0300	-	S00X	-	g
TIMI-D		Silver Anodised		Diffused		A-		A030		3000K		514mm		IP40		300mm (11.81in)		Single no sheath tail		DC 24V	

ACCESSORIES

Mounting Accessories

KKCP-21 TIMI-D Clip (allow 2 per 500mm/20in)

* Refer to **Mounting accessories** on **Accessories** pages

Connection Accessories

KKCN-01 2 PIN male & female 50mm (1.97in) pair

KKCN-03 2 PIN male & female 300mm (11.81in) pair

KKCN-06 2 PIN 300mm (11.81in) extension lead

* Refer to **Power feed** on **Accessories** pages

PSU/Driver

0-10V/1-10V/DALI/DMX

* Refer to **Driver/PSU Options** page for details or provide requirement and KKDC to offer the suitable option

Linear

TIMI-D A030 (30W)

Length Availability List



Length Code		Fixture Length ¹		LED Strip ²		End Cap Dimension		Wattage (W)	Output (lm)
Metric	Imperial(US)	Metric	Imperial(US)	Metric	Imperial(US)	Metric	Imperial(US)		3000K (Test Data)
m0091	i0004	91mm	3.58in	77mm	3.03in	4mm	0.16in	2.31	217
m0129	i0005	129mm	5.09in	115mm	4.54in	4mm	0.16in	3.46	325
m0168	i0007	168mm	6.61in	154mm	6.06in	4mm	0.16in	4.62	434
m0206	i0008	206mm	8.12in	192mm	7.57in	4mm	0.16in	5.77	542
m0245	i0010	245mm	9.64in	231mm	9.09in	4mm	0.16in	6.92	651
m0283	i0011	283mm	11.15in	269mm	10.60in	4mm	0.16in	8.08	759
m0322	i0013	322mm	12.67in	308mm	12.11in	4mm	0.16in	9.23	868
m0360	i0014	360mm	14.18in	346mm	13.63in	4mm	0.16in	10.38	976
m0399	i0016	399mm	15.69in	385mm	15.14in	4mm	0.16in	11.54	1085
m0437	i0017	437mm	17.21in	423mm	16.66in	4mm	0.16in	12.69	1193
m0476	i0019	476mm	18.72in	462mm	18.17in	4mm	0.16in	13.85	1302
m0514	i0020	514mm	20.24in	500mm	19.69in	4mm	0.16in	15.00	1410
m0552	i0022	552mm	21.75in	538mm	21.20in	4mm	0.16in	16.15	1518
m0591	i0023	591mm	23.26in	577mm	22.71in	4mm	0.16in	17.31	1627
m0629	i0025	629mm	24.78in	615mm	24.23in	4mm	0.16in	18.46	1735
m0668	i0026	668mm	26.29in	654mm	25.74in	4mm	0.16in	19.62	1844
m0706	i0028	706mm	27.81in	692mm	27.26in	4mm	0.16in	20.77	1952
m0745	i0029	745mm	29.32in	731mm	28.77in	4mm	0.16in	21.92	2061
m0783	i0031	783mm	30.84in	769mm	30.28in	4mm	0.16in	23.08	2169
m0822	i0032	822mm	32.35in	808mm	31.80in	4mm	0.16in	24.23	2278
m0860	i0034	860mm	33.86in	846mm	33.31in	4mm	0.16in	25.38	2386
m0899	i0035	899mm	35.38in	885mm	34.83in	4mm	0.16in	26.54	2495
m0937	i0037	937mm	36.89in	923mm	36.34in	4mm	0.16in	27.69	2603
m0976	i0038	976mm	38.41in	962mm	37.86in	4mm	0.16in	28.85	2712
m1014	i0040	1014mm	39.92in	1000mm	39.37in	4mm	0.16in	30.00	2820
m1052	i0041	1052mm	41.44in	1038mm	40.88in	4mm	0.16in	31.15	2928
m1091	i0043	1091mm	42.95in	1077mm	42.40in	4mm	0.16in	32.31	3037
m1129	i0044	1129mm	44.46in	1115mm	43.91in	4mm	0.16in	33.46	3145
m1168	i0046	1168mm	45.98in	1154mm	45.43in	4mm	0.16in	34.62	3254
m1206	i0047	1206mm	47.49in	1192mm	46.94in	4mm	0.16in	35.77	3362
m1245	i0049	1245mm	49.01in	1231mm	48.46in	4mm	0.16in	36.92	3471
m1283	i0051	1283mm	50.52in	1269mm	49.97in	4mm	0.16in	38.08	3579
m1322	i0052	1322mm	52.04in	1308mm	51.48in	4mm	0.16in	39.23	3688
m1360	i0054	1360mm	53.55in	1346mm	53.00in	4mm	0.16in	40.38	3796
m1399	i0055	1399mm	55.06in	1385mm	54.51in	4mm	0.16in	41.54	3905
m1437	i0057	1437mm	56.58in	1423mm	56.03in	4mm	0.16in	42.69	4013
m1476	i0058	1476mm	58.09in	1462mm	57.54in	4mm	0.16in	43.85	4122
m1514	i0060	1514mm	59.61in	1500mm	59.06in	4mm	0.16in	45.00	4230
m1552	i0061	1552mm	61.12in	1538mm	60.57in	4mm	0.16in	46.15	4338
m1591	i0063	1591mm	62.63in	1577mm	62.08in	4mm	0.16in	47.31	4447
m1629	i0064	1629mm	64.15in	1615mm	63.60in	4mm	0.16in	48.46	4555
m1668	i0066	1668mm	65.66in	1654mm	65.11in	4mm	0.16in	49.62	4664
m1706	i0067	1706mm	67.18in	1692mm	66.63in	4mm	0.16in	50.77	4772

TIMI-D A030 (30W)

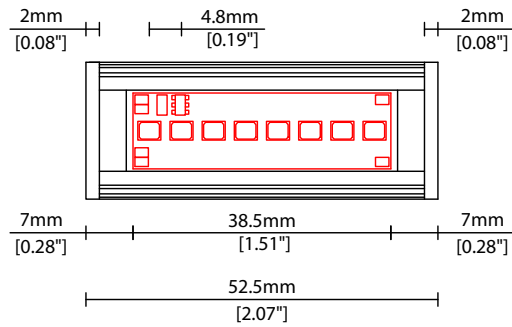
Length Availability List



Length Code		Fixture Length ¹		LED Strip ²		End Cap Dimension		Wattage (W)	Output (lm) 3000K (Test Data)
Metric	Imperial(US)	Metric	Imperial(US)	Metric	Imperial(US)	Metric	Imperial(US)		
m1745	i0069	1745mm	68.69in	1731mm	68.14in	4mm	0.16in	51.92	4881
m1783	i0070	1783mm	70.21in	1769mm	69.65in	4mm	0.16in	53.08	4989
m1822	i0072	1822mm	71.72in	1808mm	71.17in	4mm	0.16in	54.23	5098
m1860	i0073	1860mm	73.23in	1846mm	72.68in	4mm	0.16in	55.38	5206
m1899	i0075	1899mm	74.75in	1885mm	74.20in	4mm	0.16in	56.54	5315
m1937	i0076	1937mm	76.26in	1923mm	75.71in	4mm	0.16in	57.69	5423
m1976	i0078	1976mm	77.78in	1962mm	77.23in	4mm	0.16in	58.85	5532
m2014	i0079	2014mm	79.29in	2000mm	78.74in	4mm	0.16in	60.00	5640

¹ Actual total overall length of light fixture (LED strip + end caps + void/wire hole)

² Actual length of PCB strip





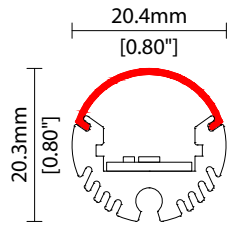
TIMI-D A030 (30W)

Options



COVER OPTIONS

* Options are an integral part of the fixture ordering codes. Please refer to **Code Table** pages.



C Diffused cover
Polycarbonate finish
W20.4/H20.3mm (W0.80/H0.80")

Linear

TIMI-D A030 (30W)

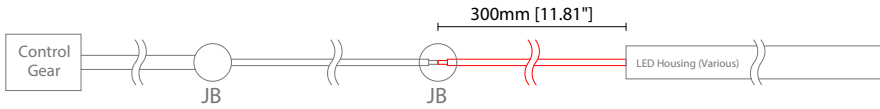
Options

KKDC

POWER FEED OPTIONS

* Options are an integral part of the fixture ordering codes. Please refer to **Code Table** pages.

0300 S00X 300mm (11.81") Single no sheath tail



Key

Control Gear Power supply, sub-controllers & control systems
JB Junction box / cable connection

Linear

TIMI-D A030 (30W) Accessories

KKDC

MOUNTING ACCESSORIES

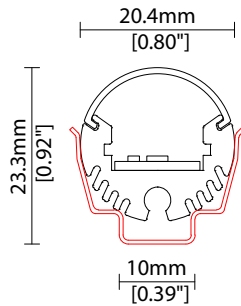
Note: Accessories are to be ordered separately with corresponding code shown below.



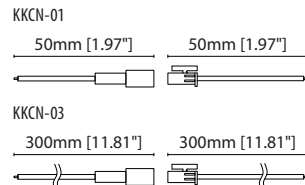
KKCP-21

Clip (allow 2 per 500mm/20in)
Stainless steel

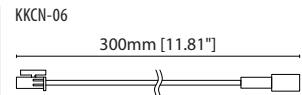
L20/W20.4/H23.3mm
(L0.79/W0.80/H0.92")



POWER FEED



KKCN-01 50mm (1.97in) pair
KKCN-03 300mm (11.81in) pair
2 PIN male + female connector set



KKCN-06
2 PIN 300mm (11.81in) extension lead

KKDC CONTROL



IP20
Plastic housing
L170/W59/H29mm
(L6.69/W2.32/H1.14in)

KKDM-06 1-10V
visDIM dimmable sub-controller
(4 x 8A max @ 12-36V)



IP20
Plastic housing
L170/W53.4/H28mm
(L6.69/W2.10/H1.10in)

KKSC-05 DMX
visDIM dimmable sub-controller
(4 x 5A max @ 12-36V)

Linear

TIMI-D A030 (30W)

Accessories

KKDC

KKDC CONTROL (CONTINUED)



IP20
Plastic housing
L170/W59/H29mm
(L6.69/W2.32/H1.14in)

KKDL-02 DALI

visDIM dimmable sub-controller
(4 x 8A max @ 12-36V)



IP20
Plastic housing
L166/W53.4/H23mm
(L6.54/W2.10/H0.91in)

KKDL-03 DALI

visDIM dimmable sub-controller
(4 x 5A max @ 12-36V)

AVAILABLE PSU OPTIONS

Control Mode	PSU (Order Code)	Input Voltage AC	Output Voltage DC	Rated Output Current	Rated Power	Dim %	IP Rating
Switched	CEN-60-24	90-295V	24V	2.5A	60W	-	IP67
	HLG-60H-24	90-305V	24V	2.5A	60W	-	IP67
	HLG-100H-24	90-305V	24V	4.0A	100W	-	IP67
	HLG-150H-24	90-305V	24V	6.3A	150W	-	IP67
	HLG-240H-24	90-305V	24V	10A	240W	-	IP67
0-10V (1-10V)	PWM-40-24	90-305V	24V	1.67A	40W	100-0.15 (100-10)	IP67
	PWM-60-24	90-305V	24V	2.5A	60W	100-0.15 (100-10)	IP67
	PWM-90-24	90-305V	24V	3.67A	90W	100-0.15 (100-10)	IP67
	PWM-120-24	90-305V	24V	5.0A	120W	100-0.15 (100-10)	IP67
DALI	LIN100A1	120-277V	24V	1A per channel	100W	100-0.1	IP66/IP40
DMX RGB	LIN100A1	120-277V	24V	1.33A per channel	100W	100-0.1	IP66/IP40
DMX RGBW	LIN100A1	120-277A	24V	1A per channel	100W	100-0.1	IP66/IP40

Flicker Free Options - Combination of PSU+ sub-controller

Control Mode	PSU (Order Code)	Sub-controller (Order Code)	Input Voltage AC	Output Voltage DC	Rated Output Current	Rated Power	Dim %	IP Rating PSU/ Sub-controller
0-10V or 1-10V	CEN-60-24	KKDM-06	90-295V	24V	2.5A	60W	100-0.9	IP67/IP20
	HLG-60H-24	KKDM-06	90-295V	24V	2.5A	60W	100-0.9	IP67/IP20
	HLG-100H-24	KKDM-06	90-295V	24V	4.0A	100W	100-0.9	IP67/IP20
	HLG-150H-24	KKDM-06	90-295V	24V	6.3A	150W	100-0.9	IP67/IP20
	HLG-240H-24	KKDM-06	90-295V	24V	10.0A	240W	100-0.9	IP67/IP20
DALI	CEN-60-24	KKDL-02/03	90-295V	24V	2.5A	60W	100-0.1	IP67/IP20
	HLG-60H-24	KKDL-02/03	90-305V	24V	2.5A	60W	100-0.1	IP67/IP20
	HLG-100H-24	KKDL-02/03	90-305V	24V	4.0A	100W	100-0.1	IP67/IP20
	HLG-150H-24	KKDL-02/03	90-305V	24V	6.3A	150W	100-0.1	IP67/IP20
	HLG-240H-24	KKDL-02/03	90-305V	24V	10.0A	240W	100-0.1	IP67/IP20
DMX RGB	CEN-60-24	KKSC-05	90-295V	24V	2.5A	60W	100-0.9	IP67/IP20
	HLG-60H-24	KKSC-05	90-305V	24V	2.5A	60W	100-0.9	IP67/IP20
	HLG-100H-24	KKSC-05	90-305V	24V	4A	100W	100-0.9	IP67/IP20
	HLG-150H-24	KKSC-05	90-305V	24V	6.3A	150W	100-0.9	IP67/IP20
	HLG-240H-24	KKSC-05	90-305V	24V	10.0A	240W	100-0.9	IP67/IP20

¹ The items shown above cover the most frequently used specification but does not exhaust the possible options

² PSU and/or driver can be chosen from the table, or KKDC may recommend the best option upon receipt of the controls requirement and installation environment

³ Electrical shop drawing will include detailed information of PSU and relevant control drivers

⁴ Cut sheets are available on the controls section of www.kkdc.lighting or upon request